







- Product Features:

- SMD circuit technology design
- Shielded for minimum interference
- Built-in high gain and low noise amplifier
- Stylish flat-panel design with shiny black finish
- Excellent reception for digital, freeview and analog TV signals
- Powered by DTV set-top box or included separate power adapter
- Compatible with HDTV of various digital terrestrial signal and DAB/FM radios

Technical Specification

Frequency range: VHF: 87.5-230MHz; UHF: 470-862MHz

Receiving range: FM/VHF/UHF

Gain: 30dB Max

Output Level: 100dB μ V Max

Impedance: 75 Ω

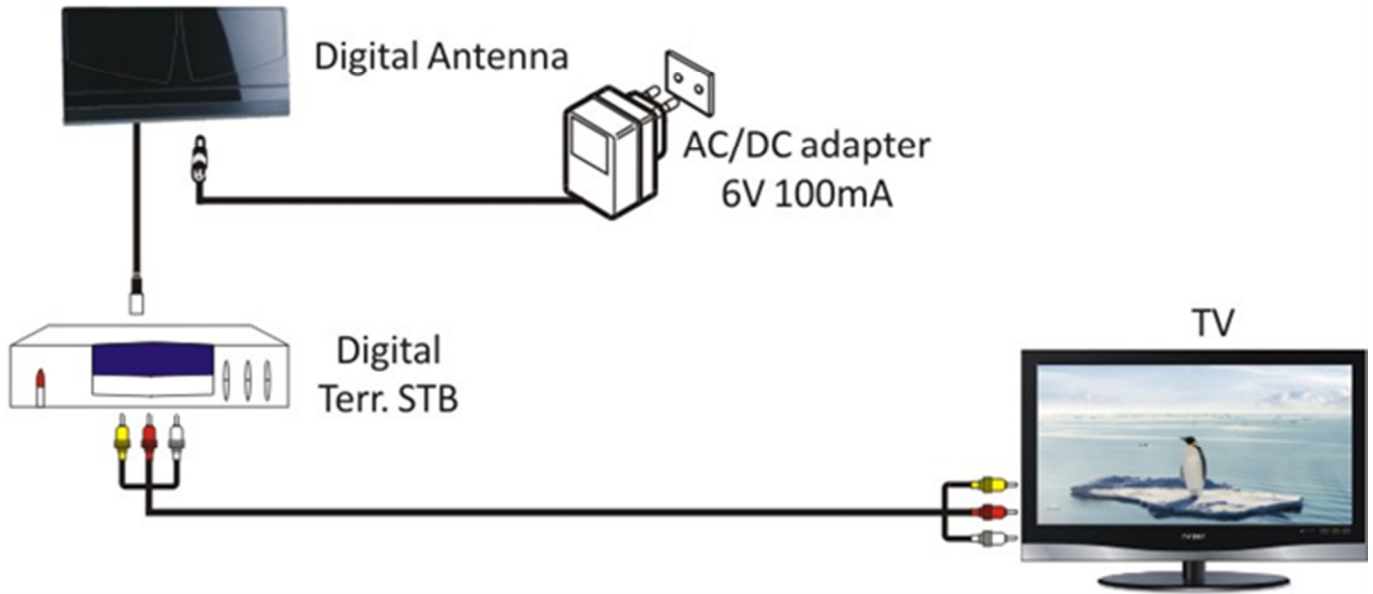
Noise Figure: \leq 3dB

Power Supply: **via separate AC/ DC adapter (DC 6V/100mA)**
or via DTV set-top box(DC 5V/40mA)

Reception polarization: horizontal



Powered via AC/DC adapter



Powered via DTV set-top box

